

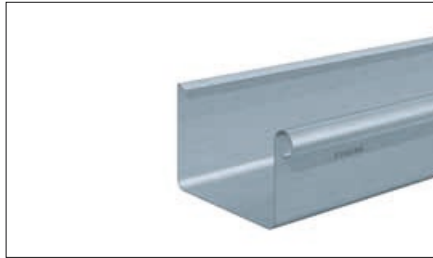


GUTTER SYSTEMS

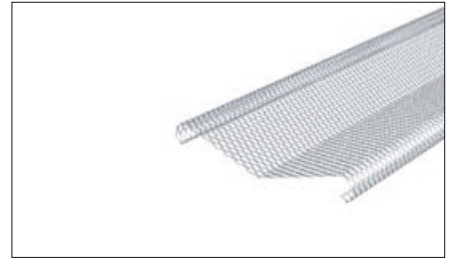
Gutters, Downspouts and Accessories



Half Round Gutter
5", 6" and 7-1/2" in 10' lengths
in prePATINA blue-grey and
6" in prePATINA graphite-grey *



Box Gutter
6" in 10' lengths in prePATINA blue-grey



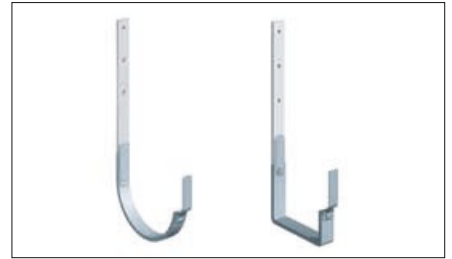
Leaf Guard
Bright rolled for half round gutters,
6.5' lengths



Snap-Lock Bracket System
Extruded aluminum mounting rail,
9' - 10" lengths, powder coated alumi-
num bracket



Fascia Hanger
Galvanized steel



Gutter Bracket
Sheathed in the choices of prePATINA
blue-grey or prePATINA graphite-grey.
Also available as a fascia hanger.



Drop In Outlet, welded



Downspout Adapter, welded



Plug in Outlet, welded



Hidden Downspout Hanger
With concealed lightning rod clip



Downspout Bracket
Solid zinc



Elbows 60° and 72°
Patented high-frequency welded



Square Downspout
4" in 6-1/2' lengths



Downspout
Plain round, patented high-frequency
welded, 3-1/8", 4" and 5"*



Leaf Collector and Rainwater Diverter
With removable leaf screen

* Please note: Other sizes are available upon request



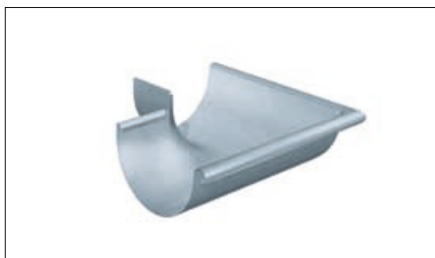
End Cap
Left and right



Spherical End Caps
Universal



Leader Head, square



Miter
Seamless, inside and outside



Drain tile Extension
Sleeve with drain tile flange cover



The Trademark for Quality in Roof Drainage

The design and extensive assortment of components and accessories make the RHEINZINK Gutter System adaptable to virtually any roof configuration.

Half Round or Box-shaped gutters, RHEINZINK manufactures over 300 parts and accessories. All gutter components are fabricated with high quality available in RHEINZINK-prePATINA blue-grey and prePATINA graphite-grey finishes.

RHEINZINK complies with the strictest environmental standards and is infinitely recyclable. The material RHEINZINK has been able to claim the title "sustainable", from production all the way to its permanent application, for over 40 years. In fact, RHEINZINK products provide an opportunity for LEED projects. Following comprehensive evaluation of its complete life cycle, it has been certified as an environmentally friendly building product by Cradle to Cradle and by ISO as a 14025, Type III product.

RHEINZINK meets ASTM B-69-11 Types 1 and 2 for Architectural Rolled Zinc. Type 1 is for blue-grey and Type 2 is for graphite grey zinc. Currently, RHEINZINK is the only manufacturer with a Type 2 designation.

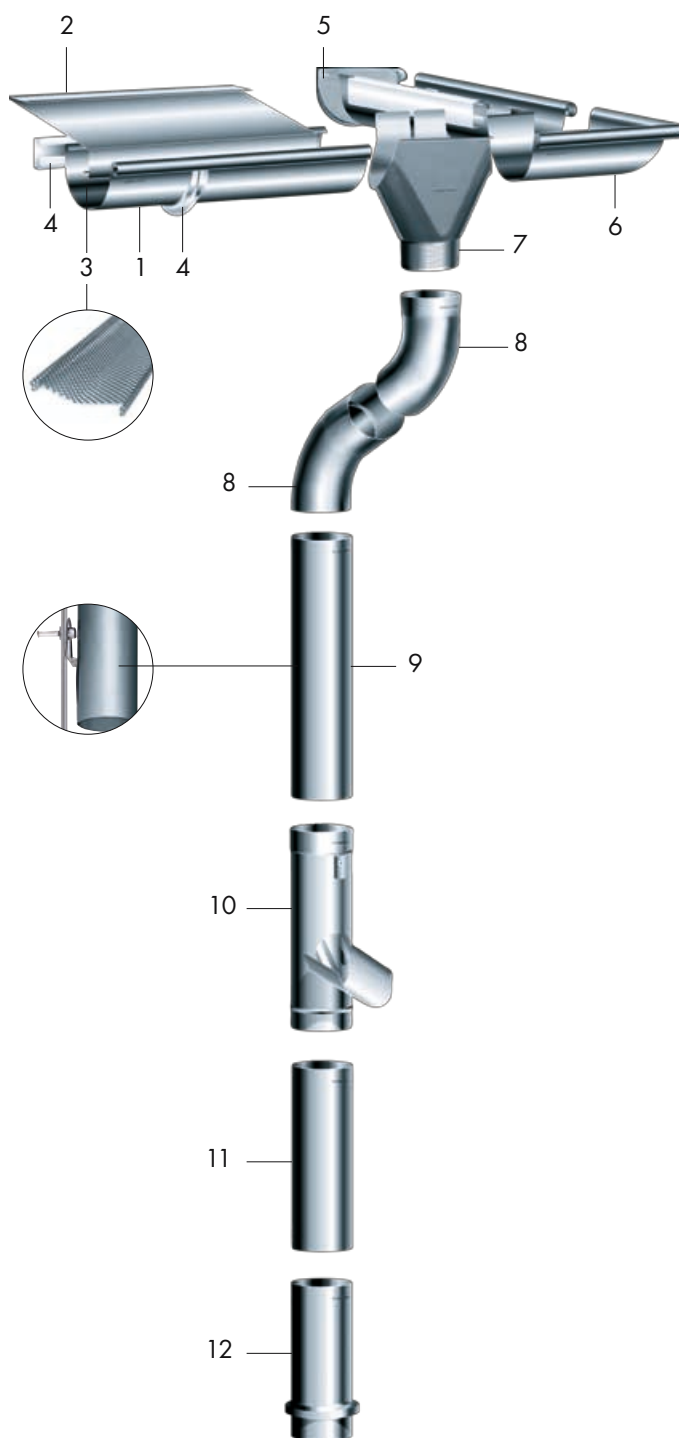


Quality Characteristics

A decision to use RHEINZINK is a decision in favor of high-quality. As an unmistakable sign of its origin and authenticity, each RHEINZINK component is stamped with the company name. With this stamp is an endorsement of quality for years to come.

For detailed information regarding the possible LEED points that may be achieved when RHEINZINK is employed on a building, please check into the world of zinc at www.rheinzink.us





Example

- 1 Half Round Gutter *
- 2 Drip Edge
- 3 Leaf Guard
- 4 Snap-Lock Bracket System
- 5 End Cap
- 6 Miter
- 7 Plug in Outlet
- 8 Elbow
- 9 Hidden Downspout Hanger with concealed lightning rod clip
- 10 Leaf Collector and Rainwater Diverter with removeable leaf screen
- 11 Downspout
- 12 Draintile Extension

* Not all accessories are available in box gutters and square downspouts.